



# SSP

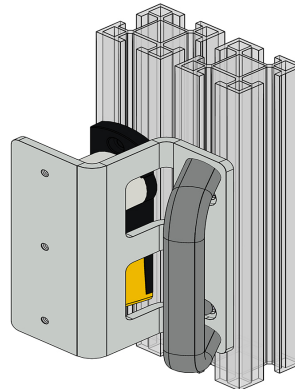
Safety System Products

## HOLDX RS-Z-MF1

Mounting fitting HOLDX RS for wing doors with handle

Your advantages

To the downloads ►



we simplify safety

## HOLDX RS-Z-MF1

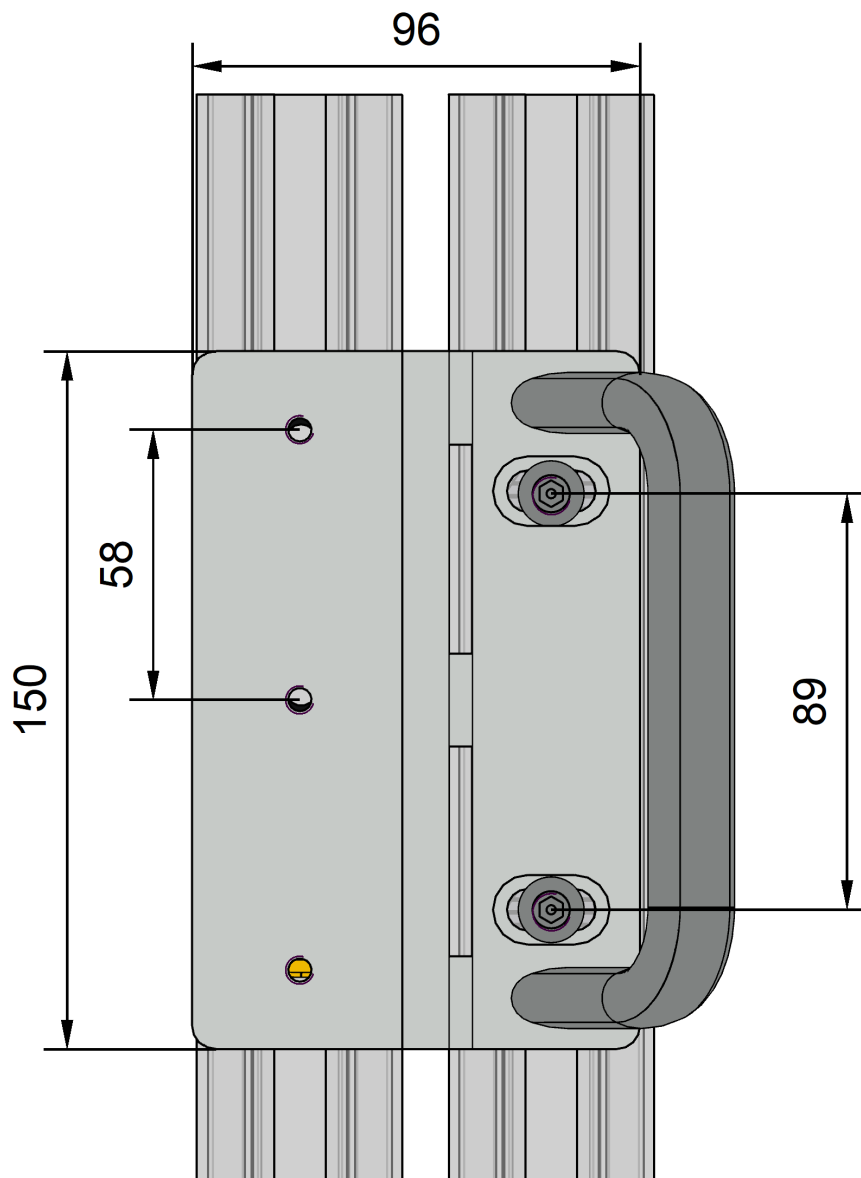
### General data

Item number	SP-X-71-002-02
Type designation	HOLDX RS-Z-MF1

## HOLDX RS-Z-MF1

### Drawings

#### Dimensions



## **HOLDX RS-Z-MF1**

### **Downloads**

---

- Product line
- CAD Data
- Catalog
- EPLAN-Data