



SSP

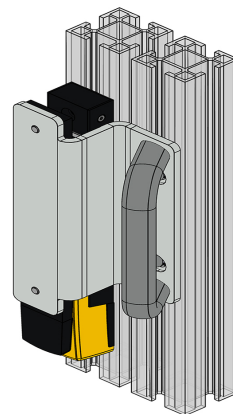
Safety System Products

HOLDX RL-Z-MF1

Mounting fitting HOLDX RL for wing doors with handle

Your advantages

[To the downloads ►](#)



we simplify safety

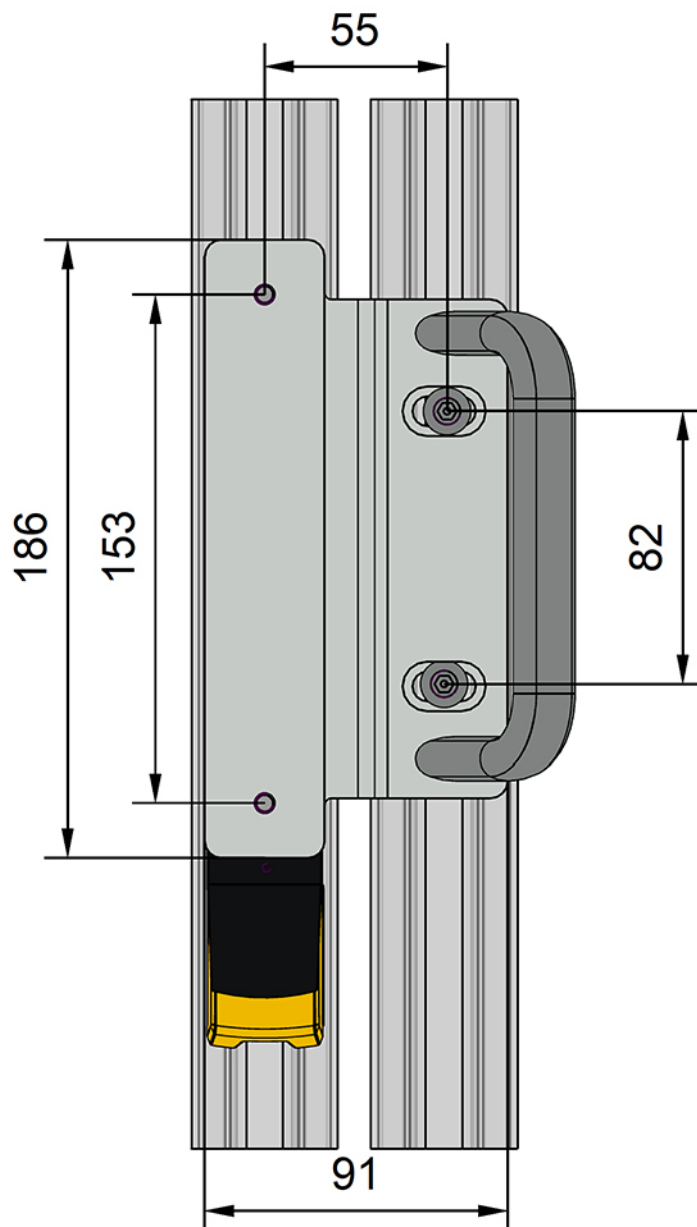
HOLDX RL-Z-MF1

General data

Item number	SP-X-71-002-00
Type designation	HOLDX RL-Z-MF1

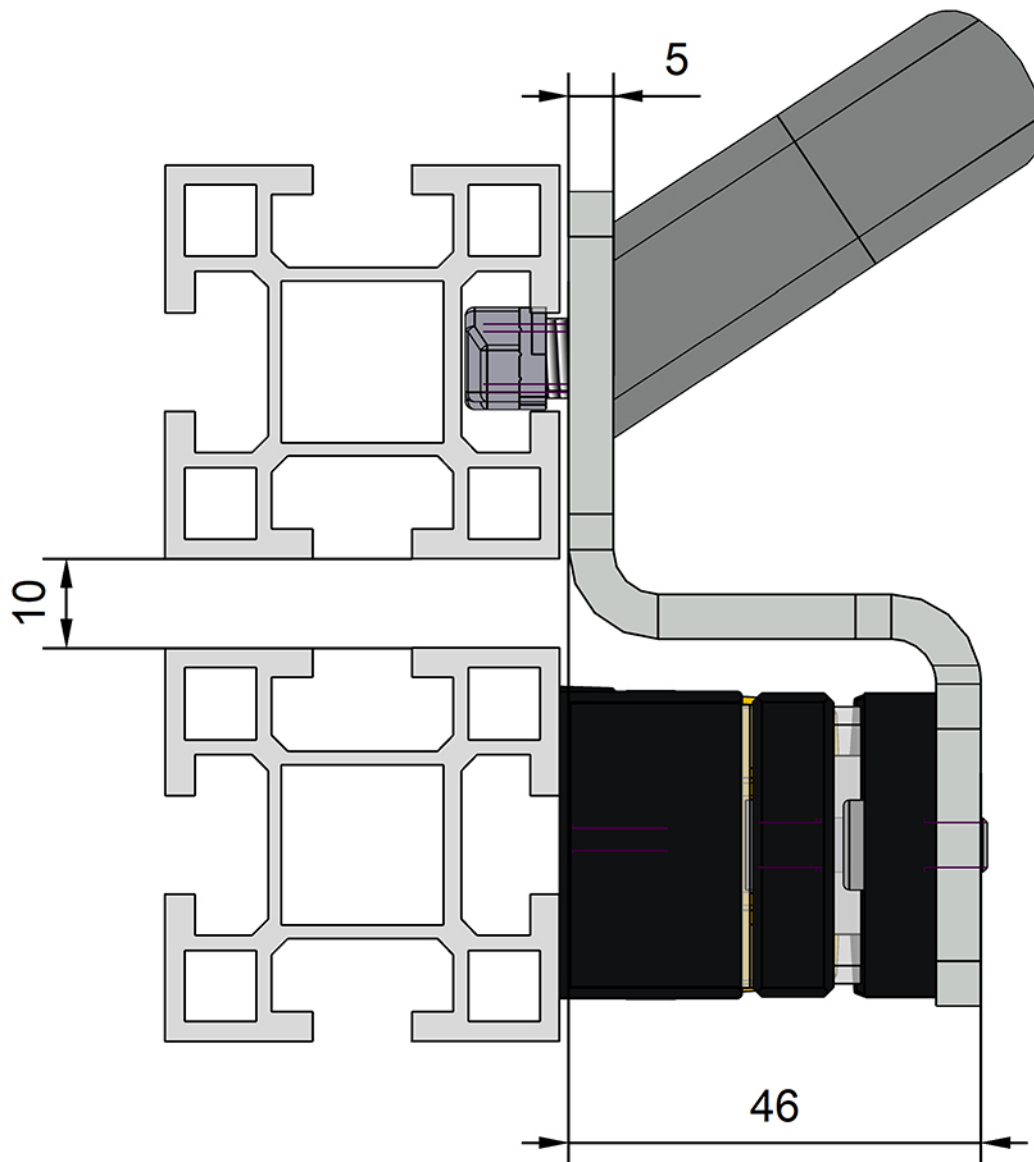
Drawings

Dimensions



HOLDX RL-Z-MF1

Dimensions 2



Downloads

- Product line
- CAD Data
- EPLAN-Data