



SSP

Safety System Products

XCONN Y2-M12

Y distributor

Your advantages

To the downloads ►



we simplify safety

XCONN Y2-M12

General data

Type designation	XCONN Y2-M12
Item number	SP-X-33-000-71
Functional type	Y-Verteiler

Electrical data

Connector 1

Connector	M12 female connector
Pin numbers	8-pin
Function	Connection SAFIX 3 or HOLDX R1

Connector 2

Connector	M12 female connector
Pin numbers	8-pin
Function	Connection SAFIX 3 or HOLDX R1

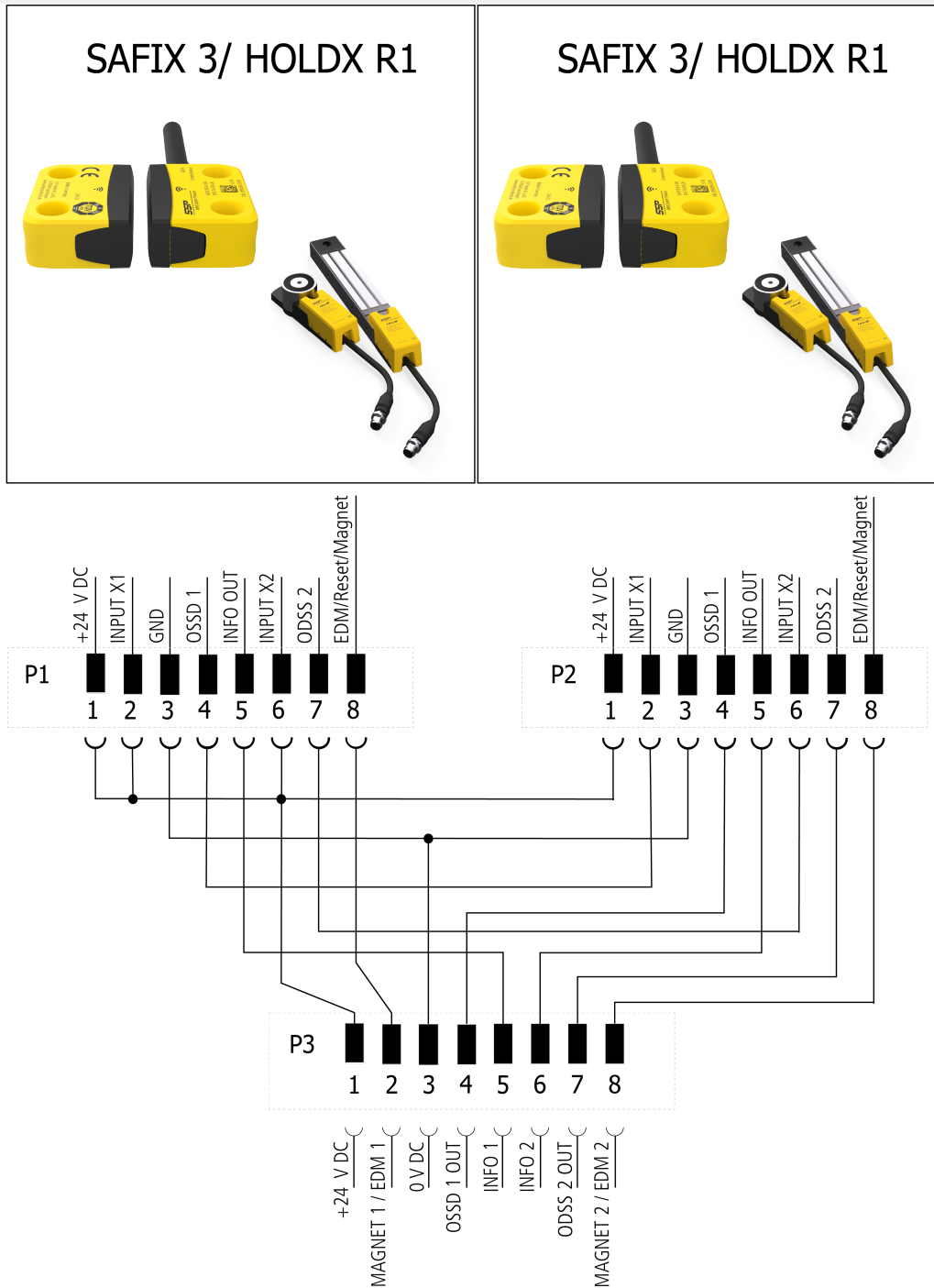
Connector 3

Connector	M12 male connector
Pin numbers	8-pin
Function	Connection safety evaluation

XCONN Y2-M12

Electrical drawings

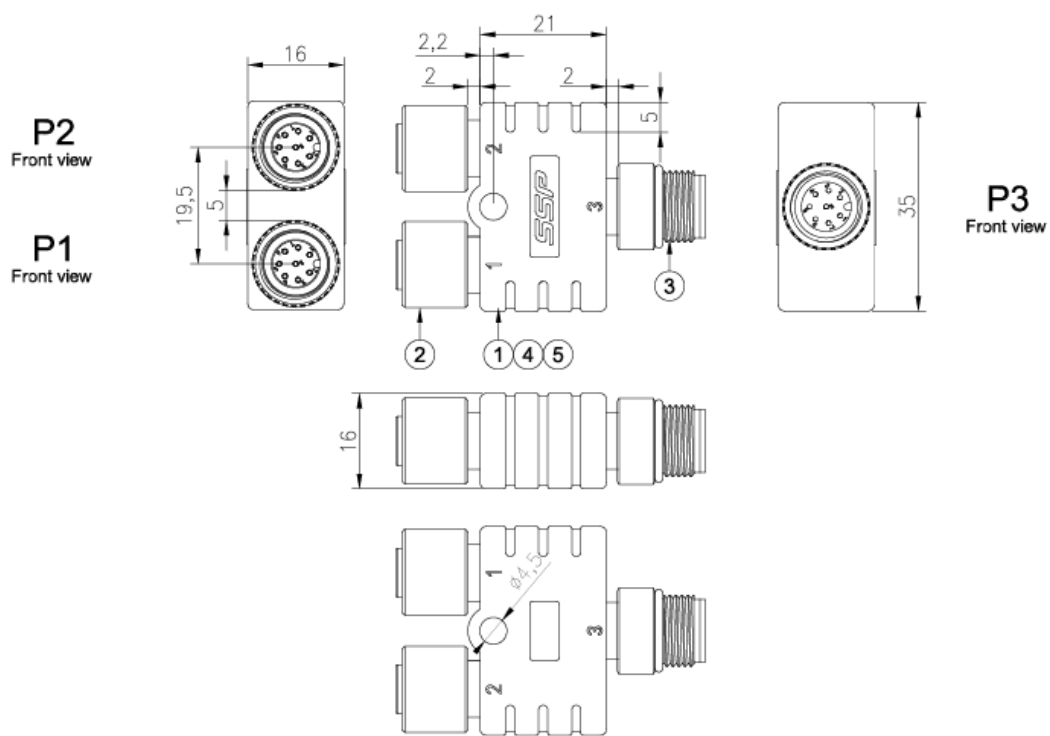
Connection example 1



XCONN Y2-M12

Drawings

Dimensions



Downloads

- Product line
- Catalog