



# SSP

Safety System Products

## THM-SMDU-QM

### Safety switch with locking function

#### Your advantages

- Robust but slimline metal housing
- Protection class IP65
- PLd according to EN ISO 13849-1
- Modular and individual configuration
- M12-12 pin plug connection
- Safety locking for protection of personnel



[To the downloads ►](#)

we simplify safety

## THM-SMDU-QM

tGard offers you innovative solutions for combining safety functions and operating elements at access points to dangerous machines and plants. The compact and extremely robust metal housing provides you with the required stability and durability.

tGard can be adapted to your requirements due to its modular design. Depending on the safety requirements at your plant, you can select and combine various different safety functions such as position monitoring, locking or key transfer systems. tGard combines safety and operation. Alongside the safety functions, you can also select a diverse range of operating elements. Whether indicator lights for status reports, call and release buttons, emergency stop buttons or selection switches, you decide what you require.

### General data

|  |                                  |
|--|----------------------------------|
| Functional type                          | Safety switch with guard locking |
| Type designation                         | THM-SMDU-QM                      |
| - Colour                                 | dark gray                        |
| Item number                              | ITM-00159181                     |
| Service life TM (EN ISO 13849-1)         | 20 Years                         |
| Utilisation category for signal contacts | DC13: Le=0.5 A, Ue=24 V DC       |
| Emergency release                        | no                               |

### Safety data

|                                |  |
|--------------------------------|--|
| Category (EN ISO 13849-1:2015) | 3  |
| SIL (acc. IEC 62061)           | 2  |
| Approvals                      | EN13849-1:2008 EN13849-2:2012 EN62061:2005<br>EN14119:2013 |

### Environmental conditions

|                            |              |
|----------------------------|--------------|
| Max. storage temperature   | 0 ... +60 °C |
| Max. operating temperature | 0 ... +40 °C |

### Electrical data

|                    |        |
|--------------------|--------|
| - Solenoid control | 24V DC |
|--------------------|--------|



## Safety System Products

### THM-SMDU-QM

|  |   |
|--|---|
| Connection type                            | M12 12-pin male connector                           |
| Safety locking for protection of personnel | yes   |
| Auxiliary mechanical release               | yes   |
| Utilisation category for safety contacts   | DC13: Le=0,5 A, Ue=24 V DC AC15: Le=1 A, Ue=24 V AC |

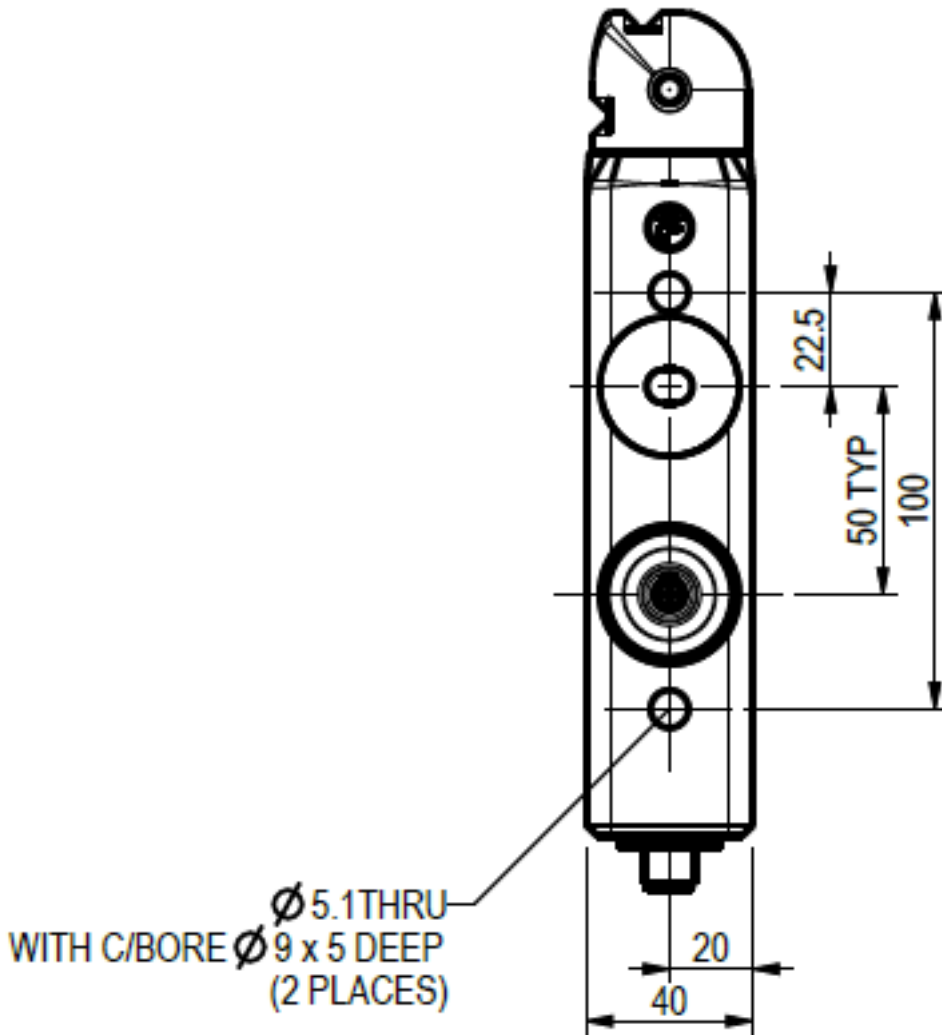
#### Mechanical data

|                         |                            |
|-------------------------|----------------------------|
| Mechanical service life | 1.000.000 switching cycles |
| Width                   | 40 mm                      |
| Actuating force         | 5 to 10 NM                 |
| Locking force Fmax      | 2500 N                     |
| Fixing force            | 5 up to 10 N               |
| UL and CSA approval     | yes                        |

#### Drawings

## THM-SMDU-QM

### Dimensions



### Equipment

Wireless Safety

### THM-SMDU-QM



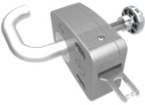
|  |   |                |   |
|--|---|----------------|---|
| Safety Simplifier   for tGard SMDU     | S14LDRB-H08-E2-I1-Q1A0-Q<br>2A0-Q3C0-Q4J0-W14       | SP-X-89-000-54 |    |
| Safety Simplifier   for tGard SMDU     | S14LDRB-H09-E2-I1-I1-Q1A0-<br>Q2A0-Q3C0-Q4J0-W15    | SP-X-89-000-55 |    |
| Safety Simplifier   for tGard SMDU     | S14LDRB-H0A-E2-I1-I1-I1-Q1<br>A0-Q2A0-Q3C0-Q4J0-W16 | SP-X-89-000-56 |    |
| Safety Simplifier   for tGard SMDU     | S14LDRB-H0A-E2-I1-I1-K4-Q1<br>A0-Q2J0-Q3C0-Q4J0-W17 | SP-X-89-000-57 |  |
| Safety Simplifier   for two tGard SMDU | S16LDRB-H08-E2-I1-Q1A0-Q<br>2J0-Q3C0-Q4J0-W18       | SP-X-89-000-58 |  |
| Safety Simplifier   for two tGard SMDU | S16LDRB-H09-E2-I1-I1-Q1A0-<br>Q2J0-Q3C0-Q4J0-W19    | SP-X-89-000-59 |  |
| Safety Simplifier   for two tGard SMDU | S16LDRB-H0A-E2-I1-I1-I1-Q1<br>A0-Q2J0-Q3C0-Q4J0-W20 | SP-X-89-000-60 |  |

#### Safety switches

TAF ITM-00046007



## THM-SMDU-QM

|  |     |              |   |
|--|-----|--------------|---|
|  | TAH | ITM-00046008 |  |
|  | TAS | ITM-00046010 |  |
|  | TEH | ITM-00046013 |  |

### Downloads

- CAD Data
- Product line