



# SSP

---

## Safety System Products

### SAFIX T4

#### Flat actuator for SAFIX 1

#### Your advantages

- PLe according to EN ISO 13849-1
- Series connection of up to 80 sensors without reduction in safety
- No increase in the response times with series connection
- No special analysis system required
- LED diagnosis
- Single information signal for diagnosis
- Highly coded according to EN ISO 14119 (version I1 and W1)
- Small compact design
- 



**To the downloads ►**

**we simplify safety**



## Safety System Products

### SAFIX T4

Highly coded in a compact design – the latest RFID technology

The SAFIX safety sensors from the company SSP not only impress because of their compact design but also due to their use of the latest RFID technology. Available in 3 different versions with a choice of lower or higher levels of coding according to EN ISO 14119, they offer a high level of protection against manipulation.

SAFIX can be switched in series up to 80 times without any significant increase in response time and can thus be integrated into systems with the highest safety levels (PLe according to ISO 13849-1). Thanks to the 8-pin M8 connector and its OSSD output signals, the SAFIX can be connected to all manner of safety relays and thus perfectly integrated into the existing environment. A three colour LED display offers user-friendly diagnosis and enables fast maintenance and commissioning. The flat actuator means that SAFIX can be quickly and easily installed on a wide variety of applications, irrespective of whether it is a swing door, lifting gate or aluminium profile. Thanks to the 8-pole M8 connector and its OSSD output signals, the SAFIX can be connected to all manner of safety relays and thus perfectly integrated into the existing environment.

A three colour LED display offers user-friendly diagnosis and enables fast maintenance and commissioning. The flat actuator means that SAFIX can be quickly and easily installed on a wide variety of applications, irrespective of whether it is a swing door, lifting gate or aluminium profile.

#### General data

Type designation	SAFIX T4
Item number	1019454
Item number (old)	SP-K-70-000-04
Functional type	RFID safety sensor, flat actuator
Service life TM (EN ISO 13849-1)	20 Years

#### Safety data

PFHd (EN ISO 13849)	6,8 x 10 <sup>-10</sup> /h
Category (EN ISO 13849-1:2015)	cat. 4
SIL (acc. IEC 62061)	SIL3, SILCL3
Approvals	TÜV_SÜD, CE

## SAFIX T4

### Environmental conditions

Max. storage temperature	-25 ... +85 °C
Max. operating temperature	-25 ... +65 °C

### Electrical data

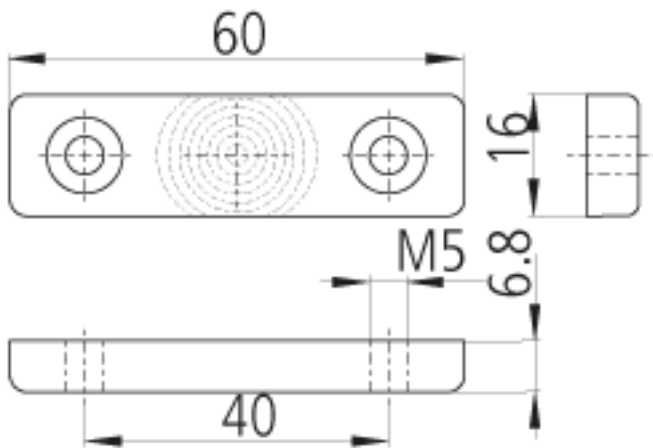
Electrical service life (nominal load)	20 Years
--	----------

### Mechanical data

Mounting	Mounting with M5 countersunk screws
Housing material	Plastic, thermoplast

### Drawings

#### Dimensions



### Equipment

#### Safety switches

RFID Safety Sensor, high coded, autom. reset, M8 SAFIX I1

1019451



### SAFIX T4

RFID Safety Sensor, high coded (reteach.), autom.

SAFIX W1

1019452



reset, M8

Mounting

SAFIX Z B5

SP-K-71-000-08



SAFIX Z B6

1019463



Gasket set, transparent

SAFIX Z D

SP-K-71-000-02



mounting kit

SAFIX Z M

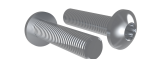
1019461



Screw kit 4x M4x16 for SAFIX 1

SAFIX Z-S16T

1019464



Passive distributor

XCONN P6-M12-10m

1027828



Passive distributor

XCONN P6-M12-M23

1027825



## SAFIX T4

Passive distributor

XCONN P6-M12-5m

1027824



### Downloads

- Certificate
- Product line